



VIKING LIFERAFTS

Technical Information



VIKING LIFE-SAVING EQUIPMENT
- Protecting people and business



Liferafts and containers

VIKING liferafts are found all over the globe - from the arctic to the tropics

A full range of throw-overboard and davit-launched liferafts

VIKING's liferafts are available in a standard version and a top of the line automatically self-righting version. The proven self-righting liferafts ensure that no matter how the liferaft lands in the water it will always inflate rightside up, ready for boarding.

Liferafts can be equipped with a hydrostatic release unit to ensure that it inflates automatically if it has not been released manually.

Liferafts are subjected to rough sea trials, wind velocity tests at forces of 30 metres per second and deployment at extremely low temperatures. Self-righting liferafts are also tested for automatic self-righting capabilities.

Ready for installation

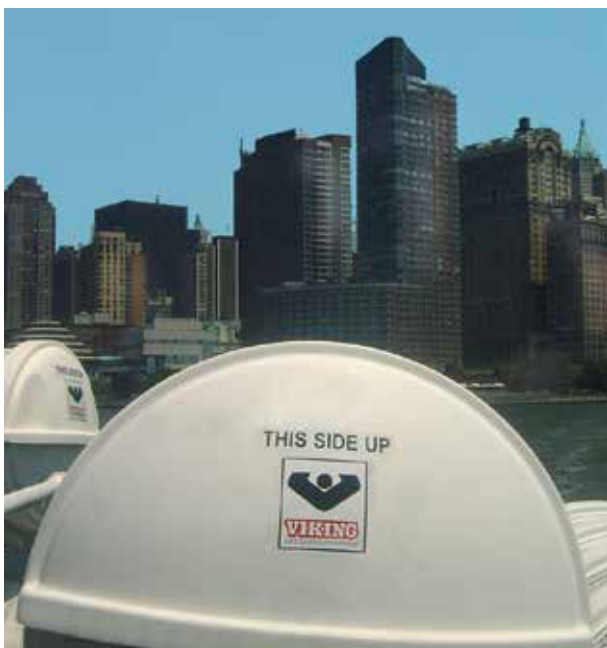
Liferafts can be delivered with optional galvanized deck cradles and lashings. A full set can be delivered with the liferaft mounted in the cradle including the hydrostatic release unit ready to be installed on the vessel. We also offer assistance with installation tests for davit-launched liferafts. Contact your local VIKING office for more information.

Standard features

- Equipped with emergency packs and liferaft equipment according to SOLAS and flag requirements.
- Provided with two individual buoyancy compartments. Even if one compartment is damaged, the other still has sufficient buoyancy to carry the specified number of passengers.
- Stored in a rigid fibre glass container for durability.
- Installed onboard either on cradles, racks, or stacked column racks



by VIKING



Containers by VIKING

Durable and easy to handle VIKING containers are designed with several unique features. The special VIKING shell overlap design gives a secure watertight fit to protect against the elements.

Unlike many other containers, our rim makes a solid easy grip for faster and easier handling - even in wet and slippery conditions. The overlap design is easier to open and re-seal during servicing.

We manufacture our own containers and build them to last. Ongoing research and development for 50 years ensures that the containers that we use today are among the best on the market. The ribbed design adds extra stability to the sturdy fibre glass, making our containers approved to withstand a drop of up to 36 metres, some are even approved for heights of 55 metres.

Quality makes a difference.

Davit-launched liferafts, standard



Davit-launched liferafts are connected to the davit, inflated, boarded from the deck and then lowered to water level.

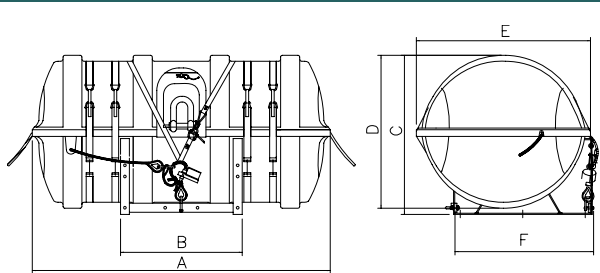
Standard liferafts are available in the following sizes; 12, 16, 20, 25 and 35 persons.

Self-righting liferafts are available in two sizes: 25 and 39 persons.

Container

Liferaft

12, 16, 20, 25, 35 DKF, Standard liferaft

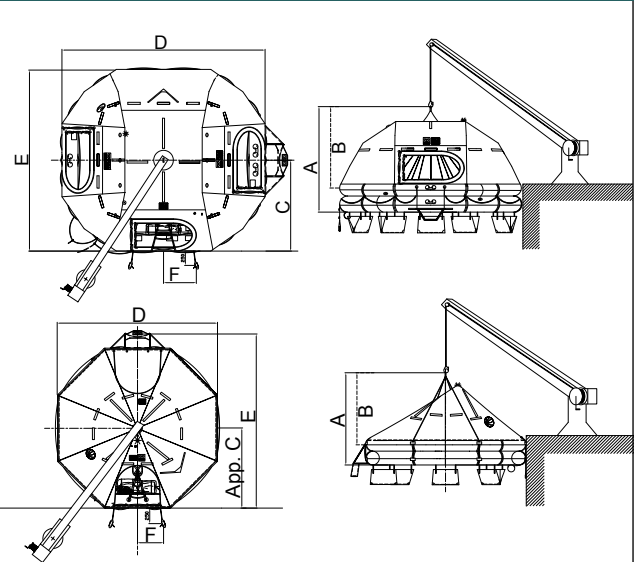


Approx. size of container in mm							Approx. weight kg*	
	A	B	C	D	E	F	A Pack	B Pack
12 DKF	1295	500	740	665	710	550	136	109
16 DKF	1335	545	713	685	780	620	156	121
20 DKF	1335	545	713	685	780	620	181	127
25 DKF	1385	545	747	735	790	620	208	142
35 DKF	1470	690	845	810	855	620	-	216
35 DKF	1550	635	982	890	920	740	280	-

* Weight of container does not include a cradle

See our full range of liferafts on www.VIKINGSafetyshop.com

12, 16, 20, 25, 35 DKF, Standard liferaft



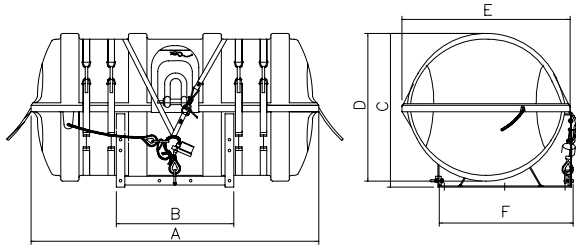
Approx. size of raft in mm						
	A	B	C	D	E	F
12 DKF	1810	1376	1441	3328	3232	580
16 DKF	1990	1520	1671	3342	3692	430
20 DKF	1920	1419	1843	3686	4036	510
25 DKF	2160	1632	2038	4076	4426	560
35 DKF	2350	1765	2210	4950	4420	750

Davit-launched liferaft, self-righting

Container

Liferaft

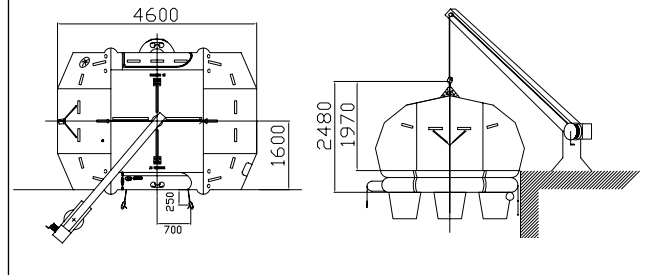
25, 39 DKFS, Self-righting liferaft



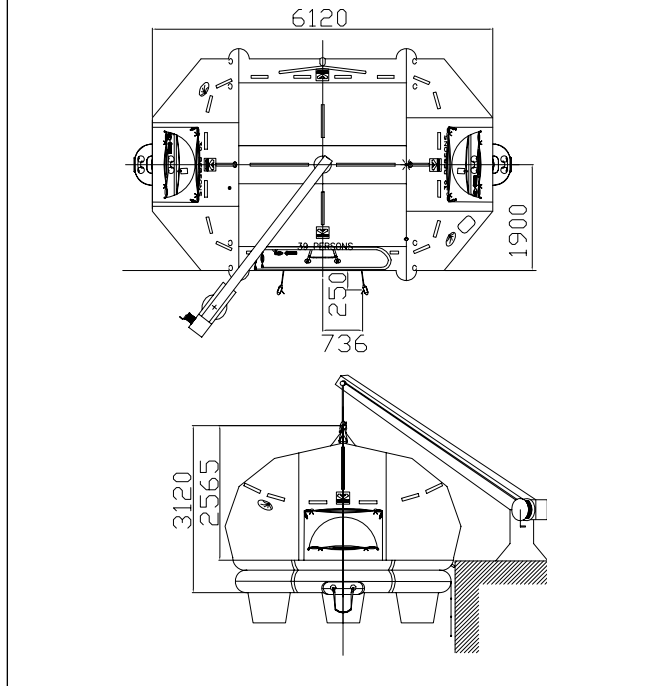
	Approx. size of container in mm						Approx. weight kg*	
	A	B	C	D	E	F	A Pack	B Pack
25 DKFS	1465	690	843	800	855	620	225*	-
25 DKFS	1420	690	800	760	795	620	-	170
39 DKFS	1550	635	982	890	920	620	330*	-
39 DKFS	1465	690	843	800	855	620	-	226*

* Liferafts weighing over 185 kg. can only be placed in a cradle if permitted by the flag state authority.

25 DKFS, Self-righting liferaft



39 DKFS, Self-righting liferaft



Davits for all needs

VIKING provides a wide range of davits for liferafts and rescue boats as well as combi davits for both purposes. These davits are specially designed for durability in a highly corrosive environment. All liferafts have an EU steering wheel approval as standard, additional certificates from national authorities are available upon request.

Optional features

- Pedestals
- Release hooks for on and off load
- Different colors
- Stored power in case of dead ship conditions (only available for certain models)
- Quick return unit for effective repeat launches
- Custom made for increased slewing range
- Complete custom made davits according to specifications

Throw-overboard liferafts, standard



Throw-overboard liferafts are stored in containers on deck and inflate in the water when the painter line is pulled.

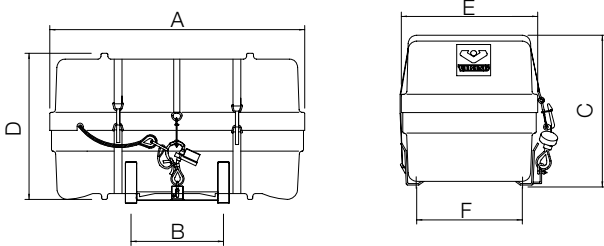
Standard SOLAS liferafts are available for: 6, 8, 10, 12, 16, 20, 25 and 35 persons.

Self-righting liferafts are available in the following sizes: 25, 51, 101 and 151 persons.

Container

Liferaft

4, 6 DK, standard liferaft

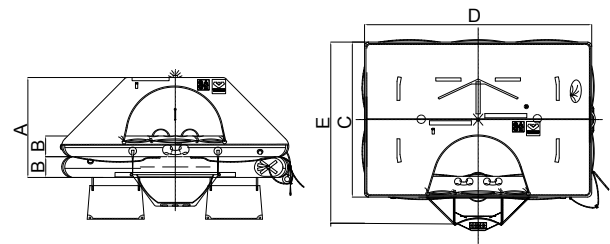


Approx. size of container in mm

Approx. weight kg ***

	A	B	C	D	E	F	A Pack	B Pack
4 DK*	910	330	555	510	490	380	66	52
6 DK*	910	330	555	510	490	380	78	60

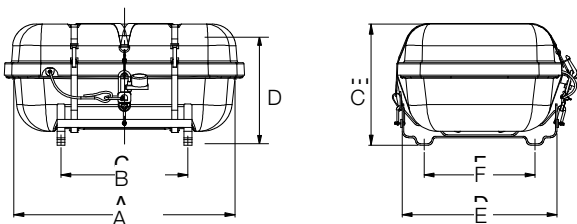
4, 6, 8 DK, Standard liferaft



Approx. size of raft in mm

	A	B	C	D	E	F
4 DK	1150	210	1670	1670	2020	-
6 DK	1190	234	1683	2323	2033	-
8 DK	1190	247	1846	2706	2196	-

4, 6 DK, Low profile for standard liferaft



Approx. size of container in mm

Approx. weight kg ***

	A	B	C	D	E	F	A Pack	B Pack
4 DK*	869	409	389	326	625	423	62	48
6 DK*	968	512	488	432	664	447	74	56

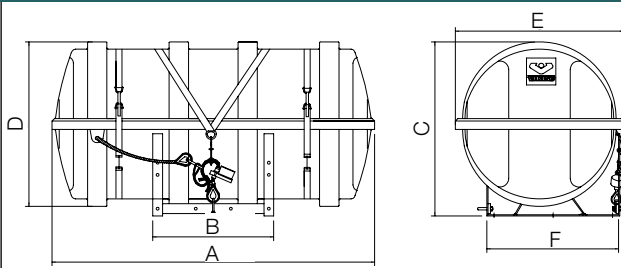
* Special liferaft for fishing vessels.

** Liferafts weighing over 185 kg. can only be placed in a cradle if permitted by the flag state authority.

*** Weight of container does not include a cradle

Container

4, 6, 8, 10, 12, 16, 20, 25, 35 DK



Approx. size of container in mm							Approx. weight kg ***	
	A	B	C	D	E	F	A Pack	B Pack
4 DK	990	340	560	490	565	447	59,5	-
4 DK*	1155	435	615	561	628	520	75	-
6 DK	1155	435	615	561	628	520	70	65
8 DK	1155	435	615	561	628	520	86	70
10 DK	1355	500	630	565	650	550	98	75
12 DK	1355	500	630	565	650	550	109	85
16 DK	1335	500	720	680	700	550	124	97
20 DK	1335	545	713	685	780	620	150	110
25 DK	1385	545	750	735	790	620	172	-
25 DK	1335	545	713	685	780	620	-	122
35 DK	1550	760	947	890	920	750	282**	-
35 DK	1465	690	843	800	855	620	-	212**

* Special liferaft for fishing vessels.

** Liferafts weighing over 185 kg. can only be placed in a cradle if permitted by the flag state authority.

*** Weight does not include a cradle



The VIKING Polar Liferaft

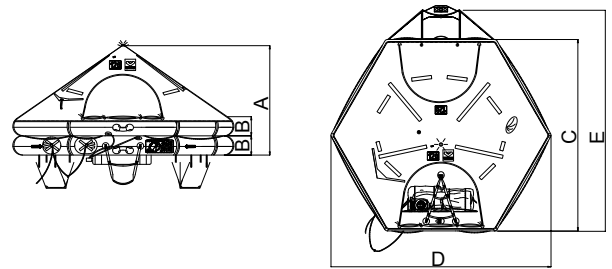
The only liferaft on the market designed and tested for Polar conditions

VIKING's Polar liferaft is specially designed and tested to withstand the harsh conditions typical of Polar regions and can function at temperatures as low as -50C or more. The float free function has also been tested at Polar temperatures.

Approved according to IMO Polar guidelines and Russian winterization regulations. Certified by DNV, TC Canada, ATEX, RMRS and USCG. VIKING Polar Liferaft has the following Patents: DK Patent No. 176716B1, CN Patent No. 101795934B Patent Pending EP

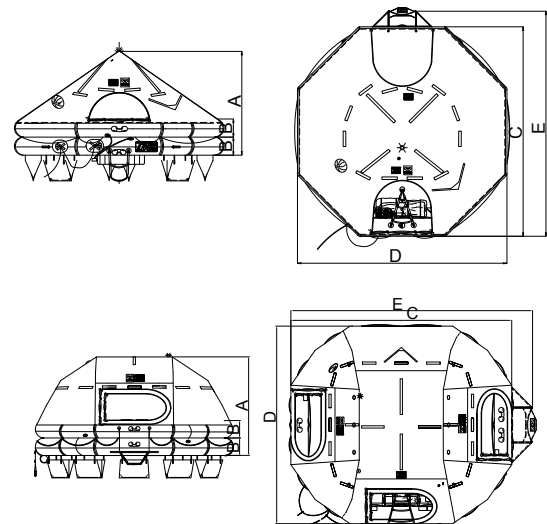
Liferaft

10 and 12 DK, Standard liferaft



Approx. size of raft in mm						
	A	B	C	D	E	F
10 DK	1540	275	2638	3070	2988	-
12 DK	1550	289	2882	3328	3232	-

16, 20, 25, 35 DK, Standard liferaft



Approx. size of raft in mm						
	A	B	C	D	E	F
16 DK	1450	313	3342	3342	3692	-
20 DK	1575	334	3686	3686	4036	-
25 DK	1785	352	4076	4076	4426	-
35 DK	2200	390	4420	4950	5390	-

See our full range of liferafts on www.VIKINGSafetyshop.com

Throw-overboard liferafts, self-righting

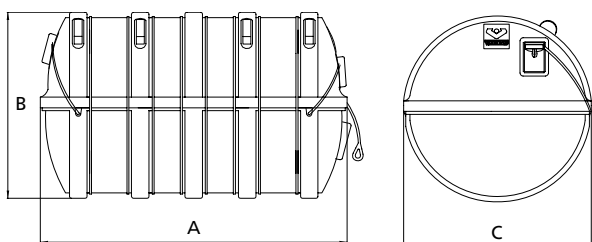


Throw-overboard liferafts are stored in containers on deck and inflate in the water when the painter line is pulled.

Container

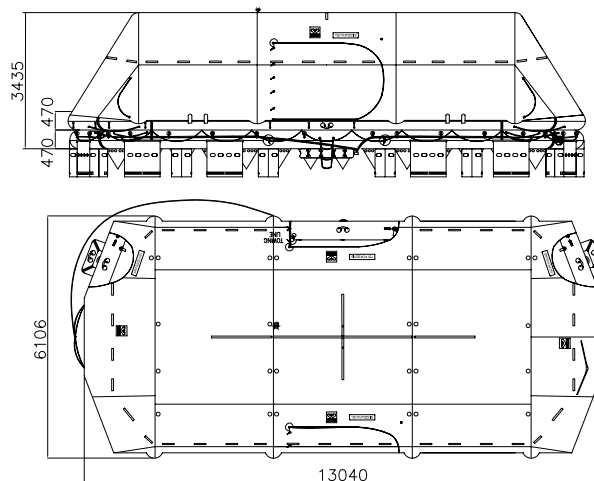
Liferaft

150 DKS, B Pack, Self-righting liferaft

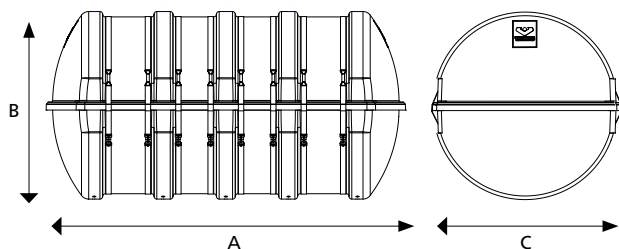


Approx. size of container in mm					Approx. weight kg	
	A	B	C	D	A Pack	B Pack
150 DKS	1980	1200	1210	-	-	840

150 DKS, Self-righting liferaft

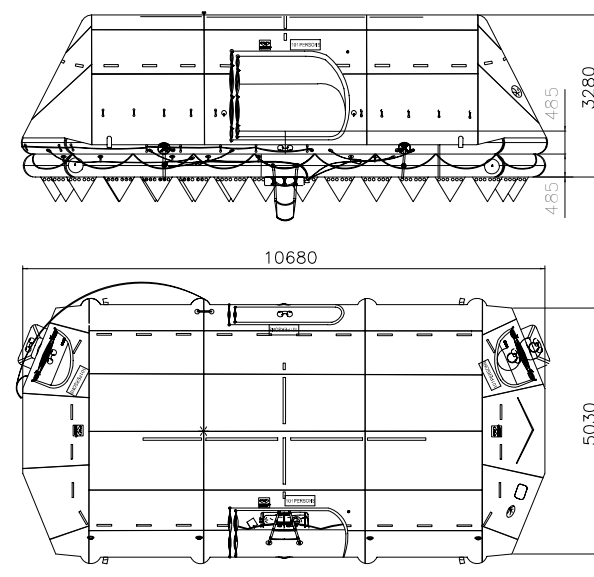


100 DKS, Self-righting liferaft



Approx. size of container in mm					Approx. weight kg	
	A	B	C	D	A Pack	B Pack
100 DKS	2006	1047	1055	-	840	540

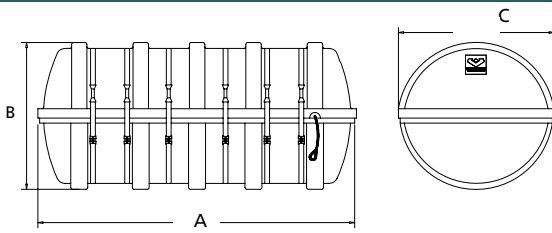
100 DKS, Self-righting liferaft



Container

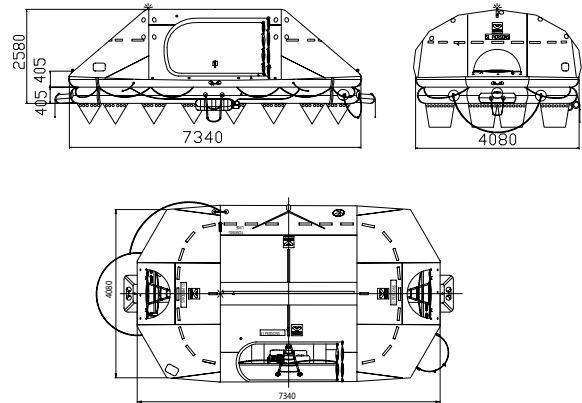
Liferaft

50 DKS, A & B Pack, Self-righting liferaft

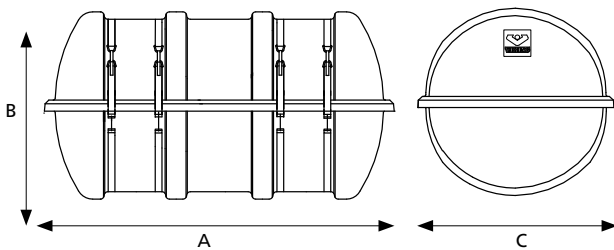


Approx. size of container in mm					Approx. weight kg	
A PACK	A	B	C	D	A Pack	B Pack
50 DKS	1865	860	910	-	393	-
B PACK	A	B	C	D	A Pack	B Pack
50 DKS	1550	890	929	-	-	285

50 DKS, Self-righting liferaft



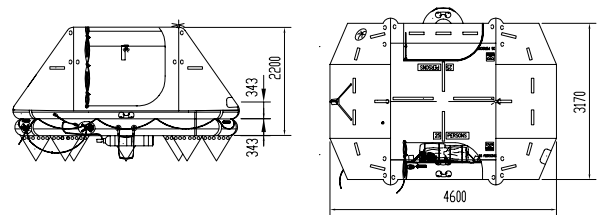
25 & 39 DKS, A & B Pack, Self-righting liferaft



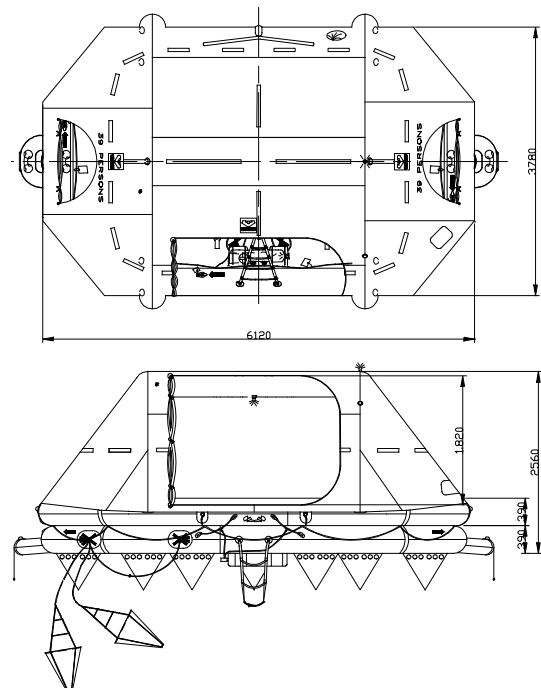
Approx. size of container in mm					Approx. weight kg	
	A	B	C	D	A Pack	B Pack
25 DKS	1420	760	795	-	215	155*
39 DKS	1550	890	920		290	

* Can be mounted on a standard deck cradle as the weight is below 185 kg.

25 DKS, Self-righting liferaft



25 & 39 DKS, A & B Pack, Self-righting liferaft



Open reversible liferafts DKR USCG Inflatable buoyant apparatus (IBA)



For passenger ships and ferries operating in inland and coastal waters.

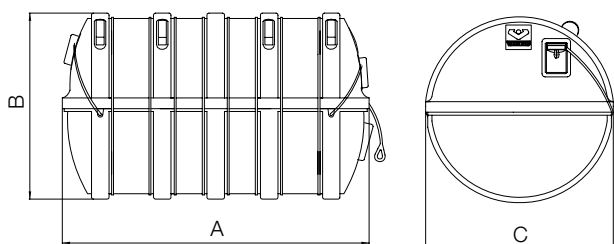
Emergency pack according to High Speed Craft code.

DKR, IBA and RDV liferafts are available in the following sizes: 6, 12, 20, 25, 50, 100 and 150 persons

Container

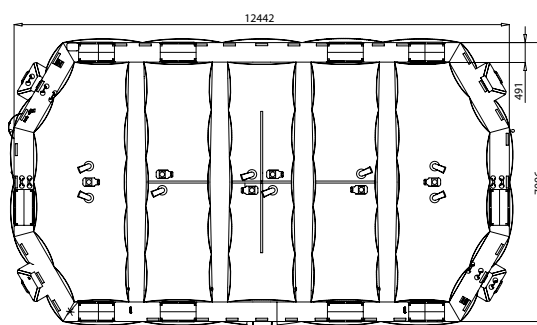
Liferaft

150 DKR, Open reversible liferaft (IBA)



Approx. size of container in mm					Approx. weight kg
	A	B	C	D	Pack type HSC
150 DKR	2006	1047	1055	-	490

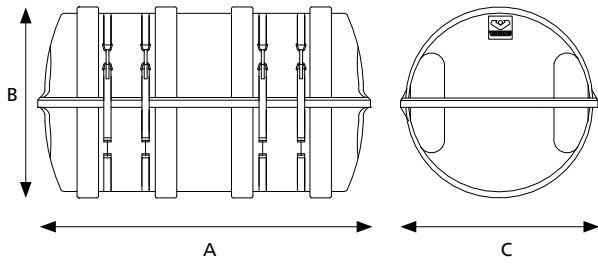
150 DKR, Open reversible liferaft (IBA)



Container

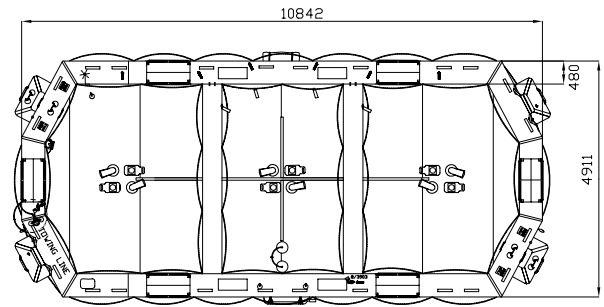
Liferaft

100 DKR, Open reversible liferaft (IBA)

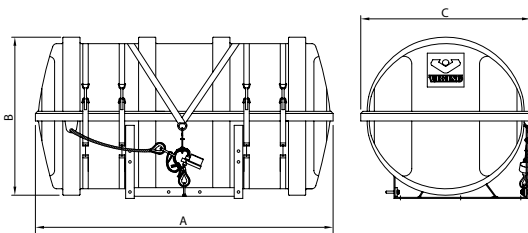


Approx. size of container in mm					Approx. weight kg
	A	B	C	D	Pack type HSC
100 DKR	1550	890	920	-	330

100 DKR, Open reversible liferaft (IBA)

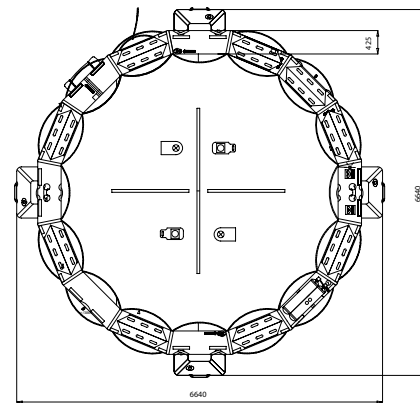


50 DKR, Open reversible liferaft (IBA)

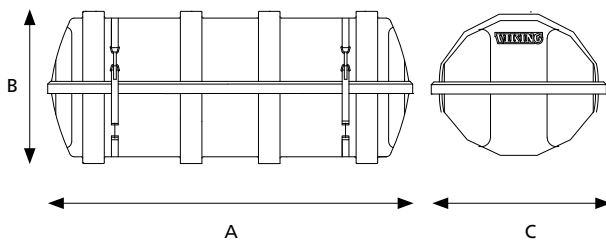


Approx. size of container in mm					Approx. weight kg
	A	B	C	D	Pack type HSC
50 DKR	1385	735	790	-	179*

50 DKR, Open reversible liferaft (IBA)

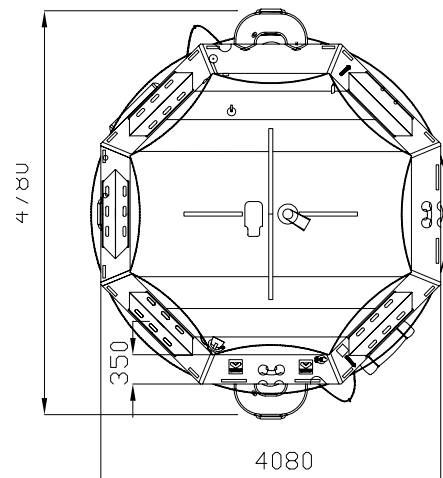


25 DKR, Open reversible liferaft (IBA)



Approx. size of container in mm					Approx. weight kg
	A	B	C	D	Pack type HSC
25 DKR	1355	565	650	-	93*

25 DKR, Open reversible liferaft (IBA)



* Can be mounted on a standard deck cradle as the weight is below 185 kg.

Storage racks



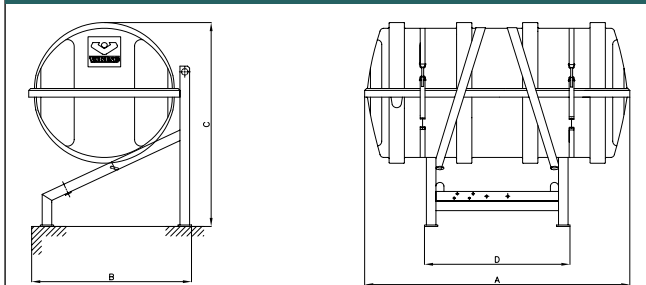
Flexible storage and easy handling with a minimal crew

VIKING has developed a range of liferaft racks as a flexible storage alternative to traditional cradles.

Our racks are constructed for flexible integration with modern ship design, increasing the number of possible installation locations. Optional remote release systems also allow liferaft containers to be stored in otherwise inaccessible locations. Racks can be operated by a single crew member for a faster and more effective launch, as liferafts in racks do not need to be lifted.

Racks are available in galvanised stainless steel or aluminium. Custom-made racks can also be supplied upon request.

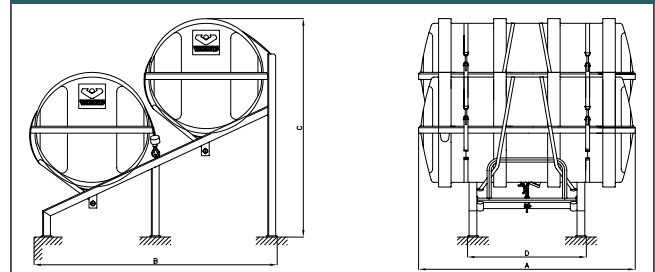
Rack for liferaft containers



Approx. size of rack system

	A	B	C	D	Pack type
10 DK	1355	800	911	760	A+B
12 DK	1355	800	911	760	A+B
16 DK	1335	835	1017	760	A+B
20 DK	1335	835	1017	760	A+B
25 DK	1385	835	1063	760	A
25 DK	1335	835	1017	760	B
35 DK	1550	955	1266	820	A
35 DK	1465	955	1198	820	B
25 DKS	1450	955	1179	820	A+B
50 DKS	1865	955	1225	1050	A
50 DKS	1710	955	1170	1050	B
100 DKS	1980	1365	1722	1090	A
100 DKS	1934	1145	1522	1190	B
150 DKS	1980	1365	1722	1090	B
12 DKR	1155	720	874	520	HSC
20 DKR	1355	800	911	760	HSC
25 DKR	1355	800	911	760	HSC
50 DKR	1385	835	1063	760	HSC
100 DKR	1550	955	1266	820	HSC
150 DKR	1934	1150	1522	1190	HSC

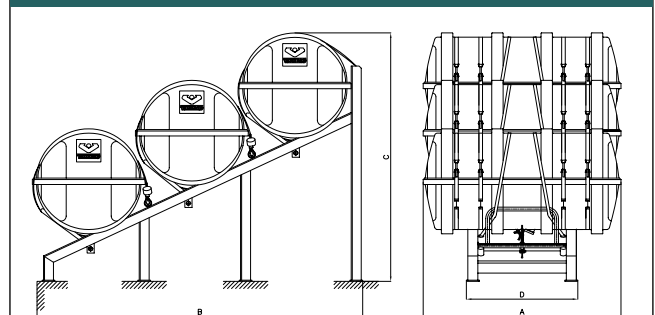
Ramp for liferaft containers



Approx. size of ramp system

	A	B	C	D	Pack type
16 DK	1335	1555	1400	760	A + B
20 DK	1335	1555	1400	760	A + B
25 DK	1385	1555	1400	760	A
25 DK	1335	1555	1400	760	B

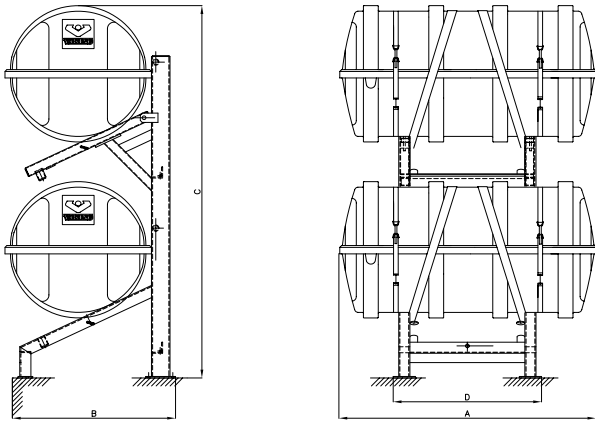
Ramp for liferaft containers



Approx. size of ramp system

	A	B	C	D	Pack type
16 DK	1335	2280	1740	780	A + B
20 DK	1335	2280	1740	780	A + B
25 DK	1385	2280	1780	780	A
25 DK	1335	2280	1740	780	B

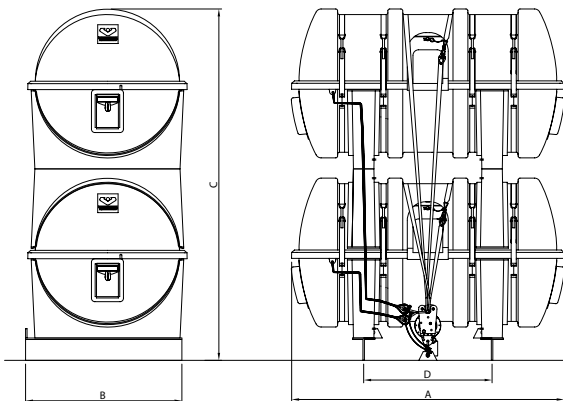
Column rack for liferaft containers



Approx. size of rack system

	A	B	C	D	Pack type
16 DK	1355	925	1970	800	A + B
20 DK	1355	925	1970	800	A + B
25 DK	1385	925	1970	800	A + B

GRP Rack



Approx. size of rack system

	A	B	C	D	Pack type
25 DKFS	1464	840	1888	690	A
25 DKFS	1420	840	1774	690	B
35 DKF	1550	940	2000	720	A
35 DKF	1464	840	1888	690	B
39 DKFS	1550	940	2000	720	A
39 DKFS	1464	840	1888	690	B

See our full range of liferafts on
www.VIKINGSafetyshop.com

Liferaft service

The unique VIKING global servicing network of liferaft specialists perform customer convenient liferaft servicing according to strict guidelines.

Documentation

- Liferaft is received and registered
- Logbook in the liferaft is completed (proof that the liferaft has been opened and tested)
- Inspection is performed using VIKING approved inspection checklist
- Certificate of re-inspection is issued
- Full documentation for service is archived according to regulations
- Detailed invoice is issued

Service

- Container is opened and the inflation system dismantled
- Liferaft is removed from the container
- Container shell is cleaned and fibreglass is repaired if needed
- Container is relabelled
- Liferaft is inspected inside and out
- Emergency pack is checked and items replaced if expired according to regulations
- Liferaft equipment is inspected and replaced if needed
- Cylinder operating head, valve, knife and release wire is inspected
- Inflation systems and high pressure hoses are inspected
- CO₂ cylinder is checked for correct content level
- Liferaft is deflated, repacked in the container and prepared for despatch

Testing

- Liferaft is inflated with compressed air and pressure tested including a 60 min. working pressure test of the lower buoyancy chamber, upper buoyancy chamber and arch chamber
- If the liferaft is equipped with an inflatable floor, this is pressure tested for 60 min.

Liferaft is subjected to specific tests at various intervals according to international regulations.

- Gas inflation stress test (GI) is conducted every 5 years using the liferaft's own CO₂ cylinder to inflate the liferaft
- Necessary additional pressure test (NAP) at double the working pressure rate is conducted at 11 years end then annually thereafter
- Floor seam test (FS) is performed to check the seams of the internal floor and is conducted at 10 years and then annually



Dedicated global production

VIKING products are manufactured using a combination of modern technology and skilled manual labour.

VIKING has an award winning workplace. Our commitment to quality and safety and our loyal and experienced employees mean that our working atmosphere is quite exceptional.

VIKING practices integrated production with joint global planning. Special competences are concentrated at individual production units.

All our production facilities follow uniform guidelines and have identical systems and procedures. VIKING Life-Saving Equipment is certified according to ISO 9001 standards and is regularly evaluated by the Norwegian Veritas for compliance. All of our products and components are subject to prototype testing and quality control procedures.

VIKING is registered in the Achilles Joint Supplier Qualification System.

Global service

An important consideration when investing in marine safety equipment is servicing in the long term.

VIKING is a global all-in-one service provider offering consolidated servicing of safety equipment on board.

- Liferrafts and evacuation systems
- Boats, davits and release hooks
- Marine fire safety equipment
- Immersion suits and lifejackets

We offer total concept service packages including competitive global pricing, handling specifications and service certificates.

Our unique network of 270 certified servicing stations follows strict guidelines for servicing VIKING's products. The network is supported by certified educational programmes, spare parts supplies and continually updated online information and manuals.

Certified servicing stations have the appropriate tools and spare parts available as turnaround time is important to our customers. Service can be booked by contacting any of our offices in our global network.

Contact your local office for the nearest VIKING servicing station or visit www.VIKING-life.com.



Global logistics

Our logistics network acts as one global unit with specialised systems for handling and tracking stock and delivery.

VIKING's logistics specialists have the necessary certifications for optimising handling of products covered by the Dangerous Goods Act, such as lifejackets and liferafts. We are experienced in customising logistics for customers with centralised stock or several delivery points.

VIKING has worldwide stock facilities for selected products that are geared to carry the appropriate stock for each market to ensure that our customers benefit from optimal delivery and pricing at appropriate locations.



VIKING global network

VIKING LIFE-SAVING EQUIPMENT A/S

(Headquarters)
Saedding Ringvej 13
6710 Esbjerg V
Denmark

Tel: +45 76 11 81 00
Fax: +45 76 11 81 01
e-mail: VIKING@VIKING-life.com
www.VIKING-life.com

VIKING LIFE-SAVING EQUIPMENT Brasil LTDA

Av. Rio Branco 45 – 19th floor
20090-003 Centro Rio de Janeiro
Brazil

Tel: +5521 2516 5005
e-mail: viking-br@viking-life.com

VIKING LIFE-SAVING EQUIPMENT China

Building 3, 1456 Xin Tanwa Highway
Pudong District
201321 Shanghai
PR China

Tel: +86 21 6289 9922
Fax: +86 21 5815 6010
e-mail: viking-ch@viking-life.com

VIKING LIFE-SAVING EQUIPMENT Estonia AS

Helgi tee 3,
Peetri alevik, Rae vald,
75312 Harjumaa.
Estonia

Tel: +372 606 93 93
Fax: +372 606 93 99
e-mail: viking-ee@viking-life.com

VIKING LIFE-SAVING EQUIPMENT Oy, Finland

Pääskykalliontie 13
F-21420 Lieto
Finland

Tel: +358-(0)2-489 500
Fax: +358-(0)2 489 5011
e-mail: viking-fi@viking-life.com

VIKING LIFE-SAVING EQUIPMENT France S.a.r.l.

41, Rue Michel Ange
91026 Evry Cedex
France

Tel: +33 (0) 160 87 09 00
Fax: +33 (0) 160 87 09 01
e-mail: viking-f@viking-life.com

VIKING LIFE-SAVING EQUIPMENT A/S

Moorfleeter Strasse 27
D-22113 Hamburg
Germany

Tel: +49-(0) 40 670 10 25
Fax: +49-(0) 40 670 10 67
e-mail: viking-d@viking-life.com

VIKING LIFE-SAVING EQUIPMENT Hong Kong Ltd.

G/F, Chiap Luen Industrial Building,
30-32, Kung Yip Street
Kwai Chung, New Territories
Hong Kong

Tel: +852 2429 7878
Fax: +852 2423 6228
e-mail: viking-hk@viking-life.com

VIKING LIFE-SAVING EQUIPMENT Ltd. Aberdeen

Unit 19, Ocean Trade Centre
Minto Avenue, Altens
AB12 3JZ, Aberdeen
Great Britain

Tel: +44 (0) 1224 898969
Fax: +44 (0) 1224 894565
e-mail: vikingabz@viking-life.com

VIKING LIFE-SAVING EQUIPMENT Ltd.

Gt Yarmouth
South Denes Road
Gt Yarmouth, Norfolk – NR30 3 PJ
Great Britain

Tel: +44 (0) 1493 850250
Fax: +44 (0) 1493 851222
e-mail: vikingldn@viking-life.com

VIKING LIFE-SAVING EQUIPMENT Ltd. Liverpool

Unit 31, Wellington Employment Park
Dunes Way
L5 9RJ Liverpool
Great Britain

Tel: +44 (0) 151 207 3030
Fax: +44 (0) 151 207 3807
e-mail: vikingliv@viking-life.com

VIKING LIFE-SAVING EQUIPMENT Ltd. Southampton

Hamble Court, Hamble Lane
SO31 4QL Southampton, Hampshire
Great Britain

Tel: +44 (0) 2380 454184
Fax: +44 (0) 2380 454284
e-mail: vikingsth@viking-life.com

VIKING LIFE-SAVING EQUIPMENT Iceland ehf.

Ishella 7
IS-221 Hafnarfjörður
Iceland

Tel: +354-544-2270
Fax: +354-544-2271
e-mail: viking-is@viking-life.com

VIKING LIFE-SAVING EQUIPMENT Pte LTD

67, Krishna Bhuvan,
No. 4, 1st Floor,
Nehru Road, Near Shiv Sagar Hotel,
Vileparle (E), Mumbai - 400 057
Maharashtra, India

Mobile: +91-22-2618 6233

VIKING LIFE-SAVING EQUIPMENT Italia s.r.l.

Via Delle Pianazze, 170
19136 – La Spezia
Italy

Tel: +39 (0) 187-981322
Fax: +39 0 187-982499
e-mail: pedrotti@viking-life.com

VIKING LIFE-SAVING EQUIPMENT B.V.

P.O. Box 266
3330 AG Zwijndrecht
The Netherlands

Tel: +31 (0) 88 008 05 00
Fax: +31 (0) 88 008 05 95
e-mail: viking-nl@viking-life.com

VIKING LIFE-SAVING EQUIPMENT Norway AS

Idrettsveien
Straume Næringspark
NO-5353 Straume (Bergen)
Norway

Tel: +47-815-00- 325
Fax: +47-56-32 61 10
e-mail: bergen@viking-life.com

VIKING LIFE-SAVING EQUIPMENT Norway AS

Oluf Onsumsvei 11
N-0680 Oslo
Norway

Tel: +47-815-00- 325
Fax: +47-22-68 84 80
e-mail: viking-n@viking-life.com

VIKING LIFE-SAVING EQUIPMENT

ISTANBUL DENIZCILIK TICARET AS
Aydinli mah. Tuzla Mermerciler OSB.
Gazi Bulvari. 4. Sokak. No 12
TR 34953 Tuzla-Istanbul
Turkey

Tel: +90 216 593 31 79
Fax: +90 216 593 31 78
e-mail: vikingistanbul@viking-life.com

VIKING LIFE-SAVING EQUIPMENT Russia

Promzona Gorelovo, Kvartal 2
Volkhonskoe Shosse, Bldg. 2B, korp. 15
Lomonosovskiy Rajon
188508 Leningrad oblast,
Russia

Tel.: +7 812 493 59 24
Fax: +7 812 493 59 22
e-mail: viking-ru@viking-life.com

VIKING LIFE-SAVING EQUIPMENT Pte LTD

Plot no. W-9, T.T.C. Industrial Area, Thane-Belapur Road,
Pawane Village , MIDC, District: Thane-400613
507601 Singapore

Tel: +65 6424 9200
Fax: +65 6424 9210
e-mail: viking-sg@viking-life.com

VIKING LIFE-SAVING EQUIPMENT (SA) (Pty) Ltd

C/o Neptune & Carlisle Street
Paarden Eiland 7420, P.O. Box 257
7420 Parden Eiland, Cape Town
South Africa

Tel: +27 21 514 5160 / +27 21 514 5178
Fax: +27 (0)86 403 4211
e-mail: viking-sa@viking-life.com

VIKING LIFE-SAVING EQUIPMENT (SA) (Pty) Ltd

Units No.2 Seebrook Park
210 Chamberlain Road
4026 Jacobs, Durban
South Africa

Tel: +27 31 4681261
Fax: +27 31 4681251
e-mail: vikingdbn@viking-life.com

VIKING LIFE-SAVING EQUIPMENT Iberica S.A.

Camino Rasposeira, 34 – Nave 2
36214 Vigo
Spain

Tel: +34-98-6421445
Fax: +34-98-6419286
e-mail: viking-e@viking-life.com

VIKING LIFE-SAVING EQUIPMENT Sweden AB

Strömfallsvägen 53
135 49 Tyresö, Stockholm
Sweden

Tel: +46 (0)8 7700170
Fax: +46 (0)8 7700183
e-mail: viking-se@viking-life.com

VIKING LIFE-SAVING EQUIPMENT (Middle East)

Al Jadaf Shipdocking Yard
P.O. Box 13448
Dubai

UAE (United Arab Emirates)

Tel: +971-4-324 3555
Fax: +971-4-324 3444
e-mail: viking-uae@viking-life.com

VIKING LIFE-SAVING EQUIPMENT (America), Inc.

1400 NW 159St., Suite 101
33169 Florida, Miami
U.S.A.

Tel: +1 (305) 614-5800
Fax: +1 (305) 614-5810
e-mail: usasales@viking-life.com

VIKING LIFE-SAVING EQUIPMENT

PRODUCTION BG LTD.
BG4202
195-198 Vtora Str., Radinovo
Bulgaria



VIKING solves the global safety servicing puzzle

Put our know-how to work for your business

Deciding on marine safety equipment and servicing plans is no easy task. That's why it's best to talk to someone who has every piece of the puzzle.

Today, VIKING offers the widest choice of fixed price safety solutions and product packages on the market.

We already manage 1000 flexible safety servicing agreements for shipowners with some of the largest fleets in the world.

To find out more, contact your local VIKING branch office or Corporate Sales Manager Helene Andersen at tel. +45 7611 8370 or han@VIKING-life.com.

VIKING LIFE-SAVING EQUIPMENT

VIKING (Headquarters): Saedding Ringvej 13 · DK-6710 Esbjerg V · Denmark
Tel +45 76 11 81 00 · Email: VIKING@VIKING-ife.com · www.VIKING-life.com